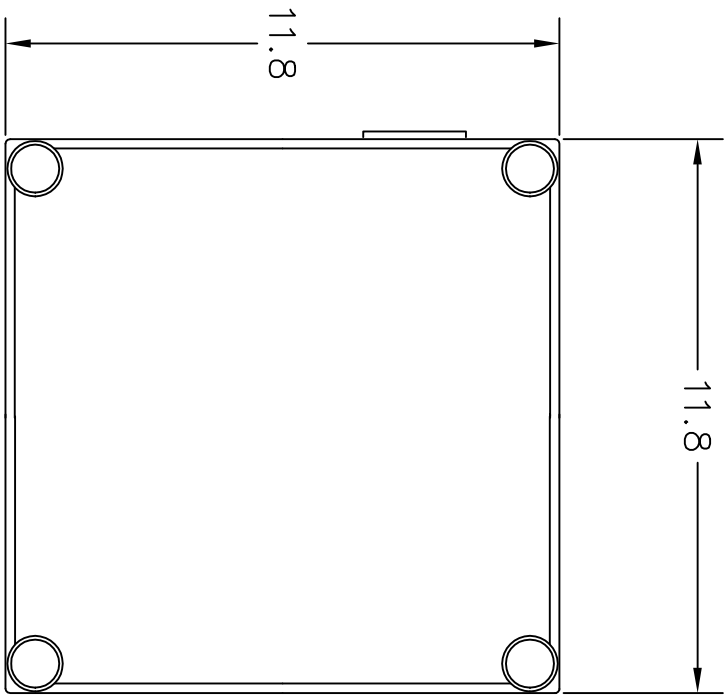
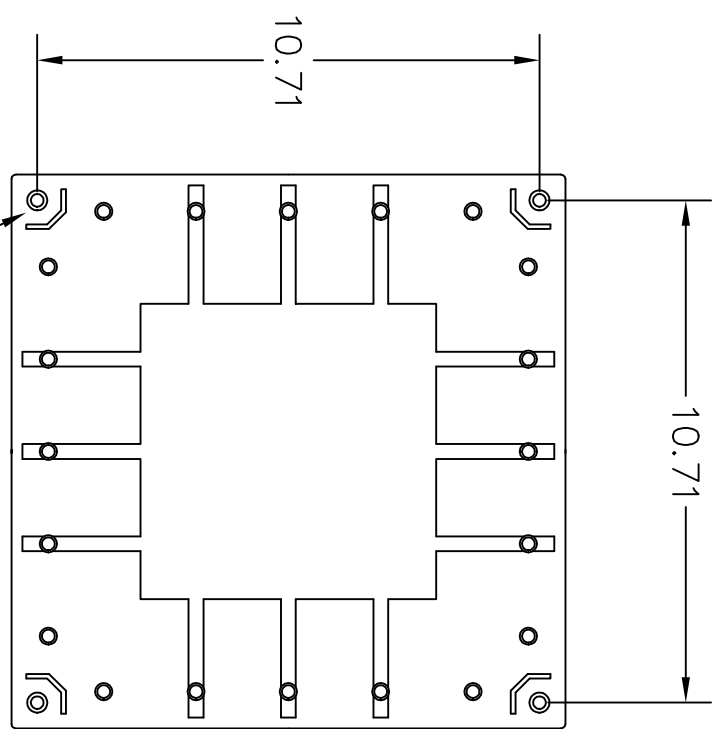


REVISIONS	
ZONE LTR	DESCRIPTION

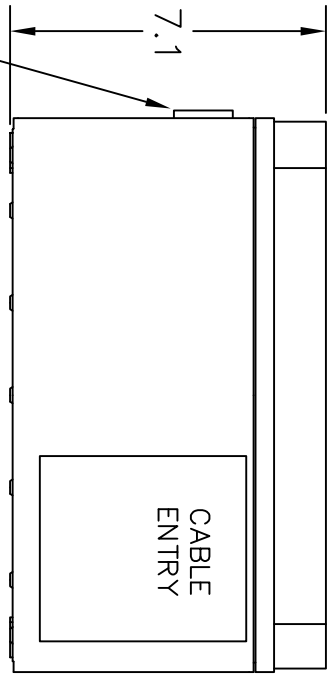
DATE	APPROVED




PLAN VIEW



BACK VIEW



BOTTOM VIEW

UNLESS OTHERWISE SPECIFIED: DIMENSIONS ARE IN INCHES TOLERANCES DECIMALS ANGULAR .XX ±.010 X° ±1° .XXX ±.005		CONTRACT NO.	
DO NOT SCALE DRAWING		DRAWN D. RADLE	DATE 1/29/02
MATERIAL -	DESIGN D. RADLE	CHECK	
FINISH -	APPROVED	CUSTOMER	
SPEC.			
 1550 W. Lindburg Dr. Slidell, LA 70458		TITLE OUTLINE & MOUNTING MODEL CA1 COMPRESSOR	
SCALE NTS	SIZE C	DWG NO. IIG01N030	REV -

