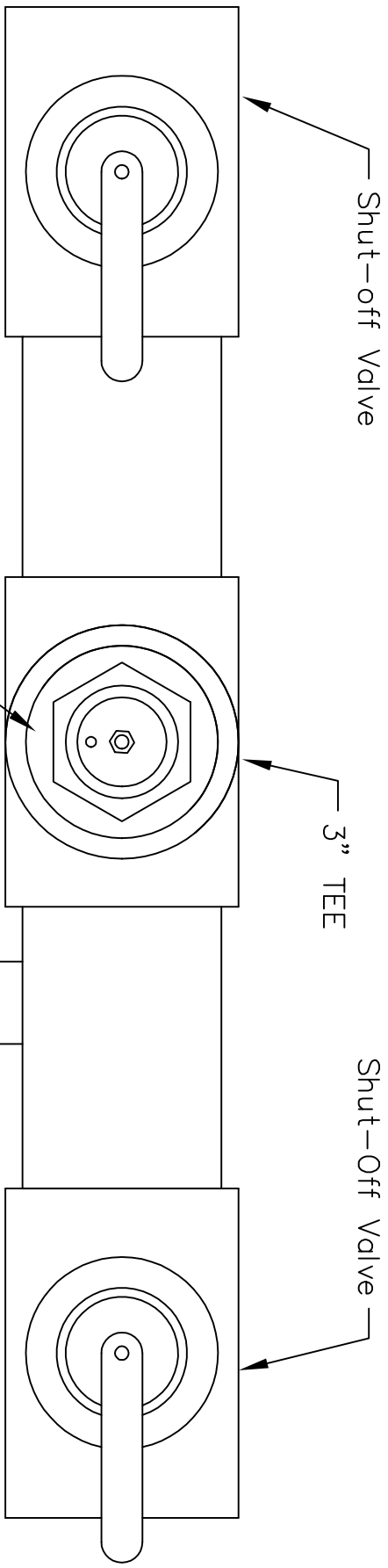


REVISIONS		DATE	APPROVED
ZONE LTR	DESCRIPTION		




Sample By-Pass Line

A B C D

1 2 3 4

UNLESS OTHERWISE SPECIFIED: DIMENSIONS ARE IN INCHES		CONTRACT NO.	
TOLERANCES	ANGULAR	DRAWN	DATE
.XX ±.010	X' ±1"	CHECK	
.XXX ±.005		DESIGN	
DO NOT SCALE DRAWING		APPROVED	
MATERIAL		CUSTOMER	
FINISH			
SPEC.			

  
 80 Whisperwood Blvd.  
 Suite 107  
 Slidell, LA 70458  
**INSTALLATION DIAGRAM**  
 MODEL 15T

SIZE	DWG NO.	REV
C	11G03N007	-
SCALE NTS		SHEET 1 OF 1