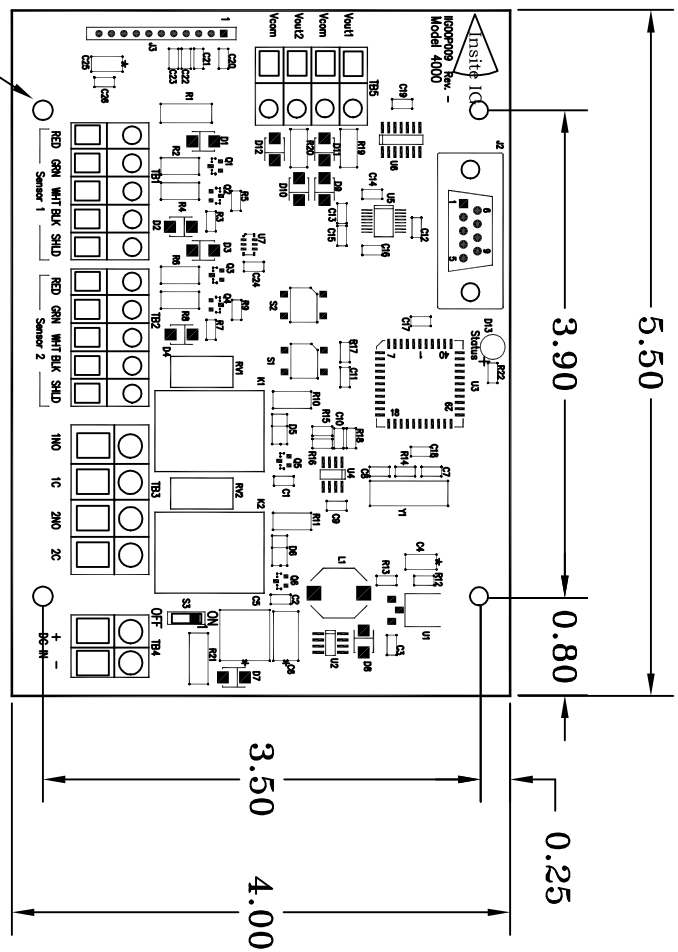


REVISIONS		DATE	APPROVED
ZONE LTR	DESCRIPTION		



4 Places
 Ø0.150

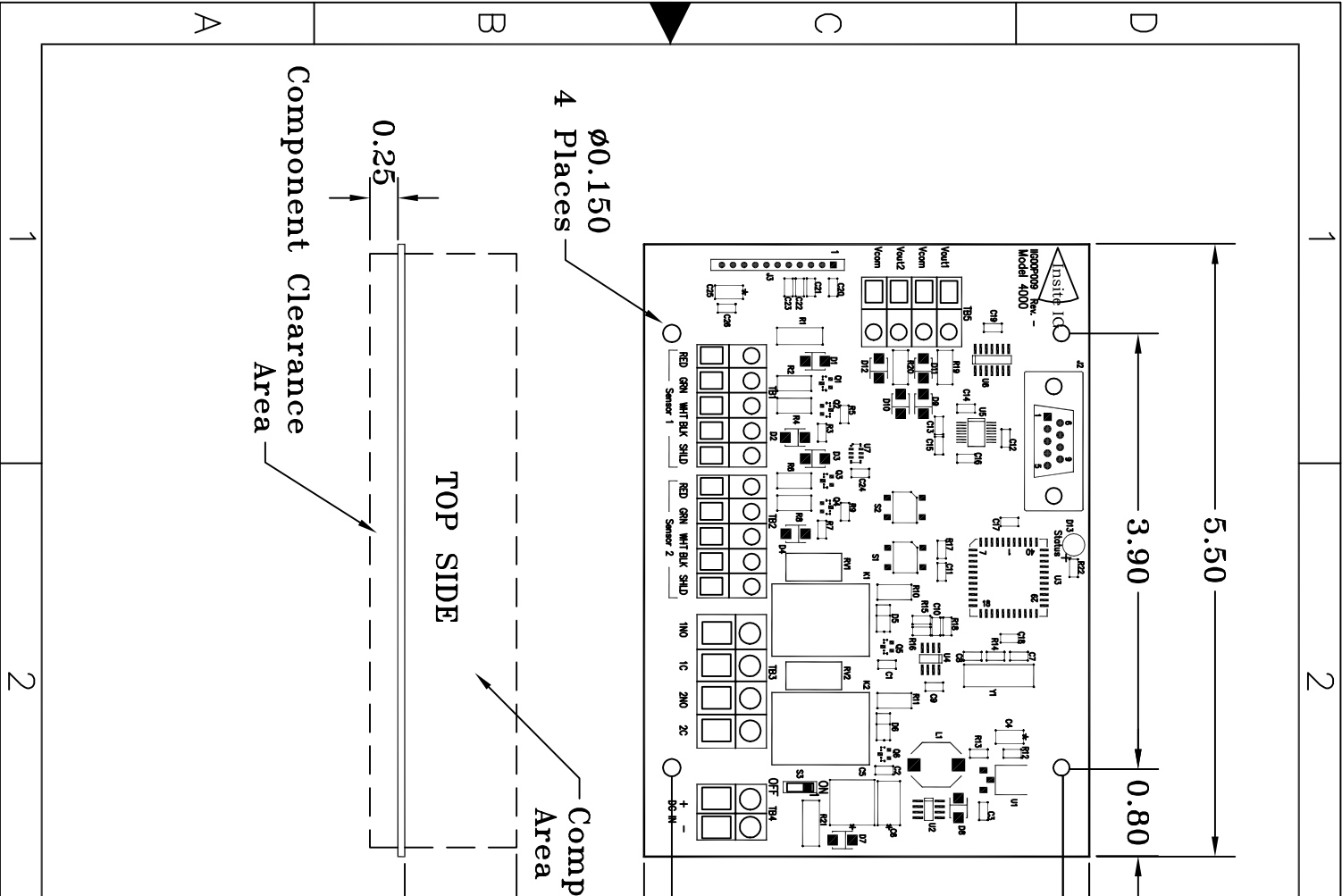
Component Clearance Area

TOP SIDE

Component Clearance Area

0.25

1.00



UNLESS OTHERWISE SPECIFIED: DIMENSIONS ARE IN INCHES TOLERANCES DECIMALS ANGULAR .XX ±.010 X° ±1' .XXX ±.005		CONTRACT NO.	
DO NOT SCALE DRAWING	CHECK	DATE	
MATERIAL	DESIGN		
FINISH	APPROVED		
SPEC.	CUSTOMER		

TITLE		Insite IG 1550 W. Lindburg Dr. Slidell, LA 70458	
OUTLINE & MOUNTING			
INSITE IG MODEL 4000			
SIZE	DWG NO.	REV	
C	11G06N001	—	
SCALE NTS		SHEET 1 OF 1	