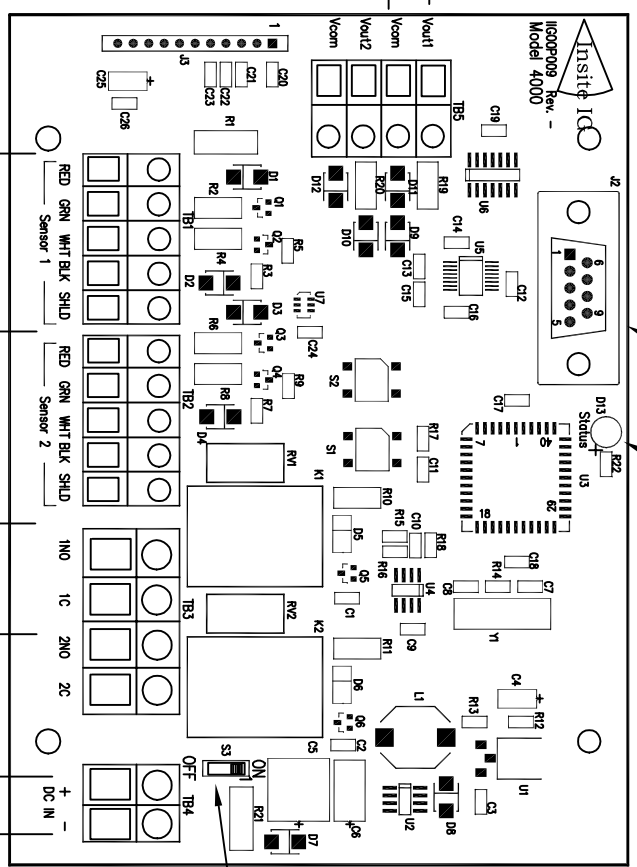


RS-232 Modbus Interface

Status Light

Scaled D.O. Output
0-1VDC



On/Off Switch

DC Voltage Input
9.6 - 16 VDC

Cleaning Relay

Sensor Connections

REVISIONS		DATE	APPROVED
ZONE LTR	DESCRIPTION		

UNLESS OTHERWISE SPECIFIED: DIMENSIONS ARE IN INCHES TOLERANCES DECIMALS ANGULAR .XX ±.010 X° ±1° .XXX ±.005		CONTRACT NO.	
DO NOT SCALE DRAWING	CHECK D. RADLE	DATE 7/29/03	
MATERIAL	DESIGN		
FINISH	APPROVED D. RADLE	7/29/03	
SPEC.	CUSTOMER		

		1550 W. Lindburg Dr. Slidell, LA 70458	
TITLE CUSTOMER CONNECTION INSITE IG MODEL 4000			
SIZE C	DWG NO. IIG06R001	SCALE NTS	REV 1
		SHEET 1 OF 1	