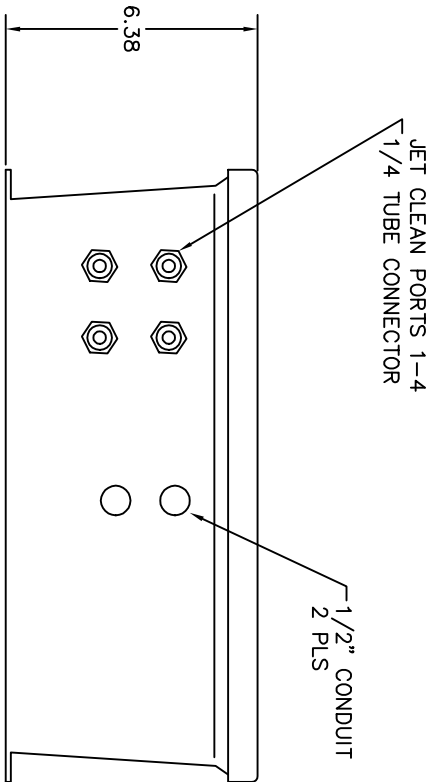


PLAN VIEW



PLAN VIEW

NOTES:
 1) Material: Stahlin Fiberglass Enclosure #U1412HW

REVISIONS		DATE	APPROVED
ZONE	LTR	DESCRIPTION	

UNLESS OTHERWISE SPECIFIED: DIMENSIONS ARE IN INCHES TOLERANCES DECIMALS ANGULAR .XX ±.010 X° ±1° .XXX ±.005		CONTRACT NO.	
DO NOT SCALE DRAWING	CHECK	DATE	
MATERIAL	DESIGN		
FINISH	D. RADLE	1/28/	APPROVED
SPEC.	CUSTOMER		
Insite IG 1550 W. Lindburg Dr. Slidell, LA 70458		TITLE OUTLINE & MTG DETAIL CA4 COMPRESSOR	
SCALE	NTS	SIZE	DWG NO.
		C	IG07N031
			REV
			X1