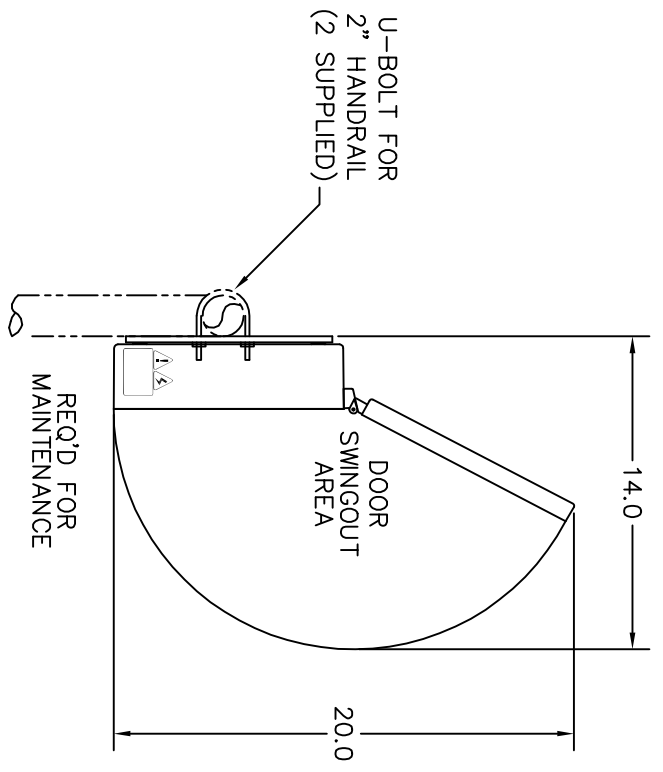
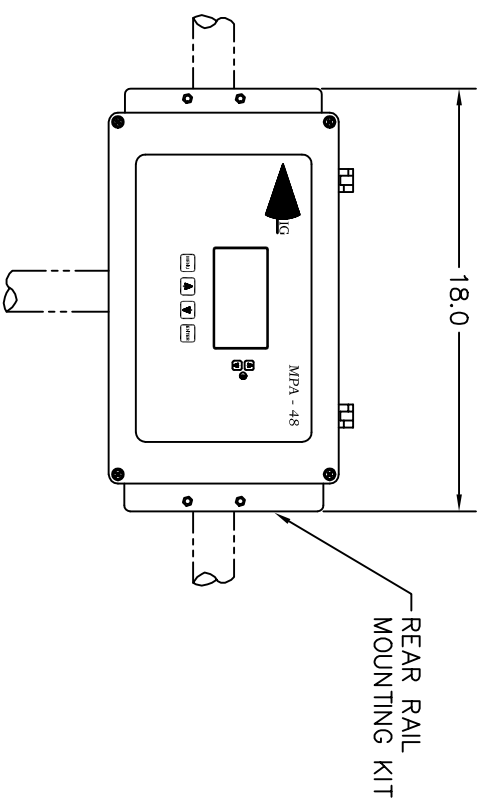


REVISIONS		DATE	APPROVED
ZONE LTR	DESCRIPTION		

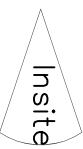


SIDE VIEW



PLAN VIEW

- NOTES:
1. CONSTRUCTION: FIBERGLASS, NEMA 4X TYPE ENCLOSURE MOUNTED ON .125" PASSIVATED STAINLESS STEEL BRACKETS.
 2. APPROXIMATE WEIGHT: 14 LBS.

UNLESS OTHERWISE SPECIFIED: DIMENSIONS ARE IN INCHES		CONTRACT NO.		TITLE	
DECIMALS	ANGULAR	DRAWN	D. RADLE	DATE	 80 Whisperwood Blvd. Suite 107 Slidell, LA 70458 REAR RAIL MOUNTING InsiteIG MPA-48
.XX ±.010	X° ±1°	CHECK		4/25/07	
.XXX ±.005		DESIGN	D. RADLE		
DO NOT SCALE DRAWING		APPROVED	CUSTOMER		
MATERIAL		FINISH			SIZE
					DWG NO.
					IG07N110
					SCALE
					NTS
					SHEET 1 OF 1