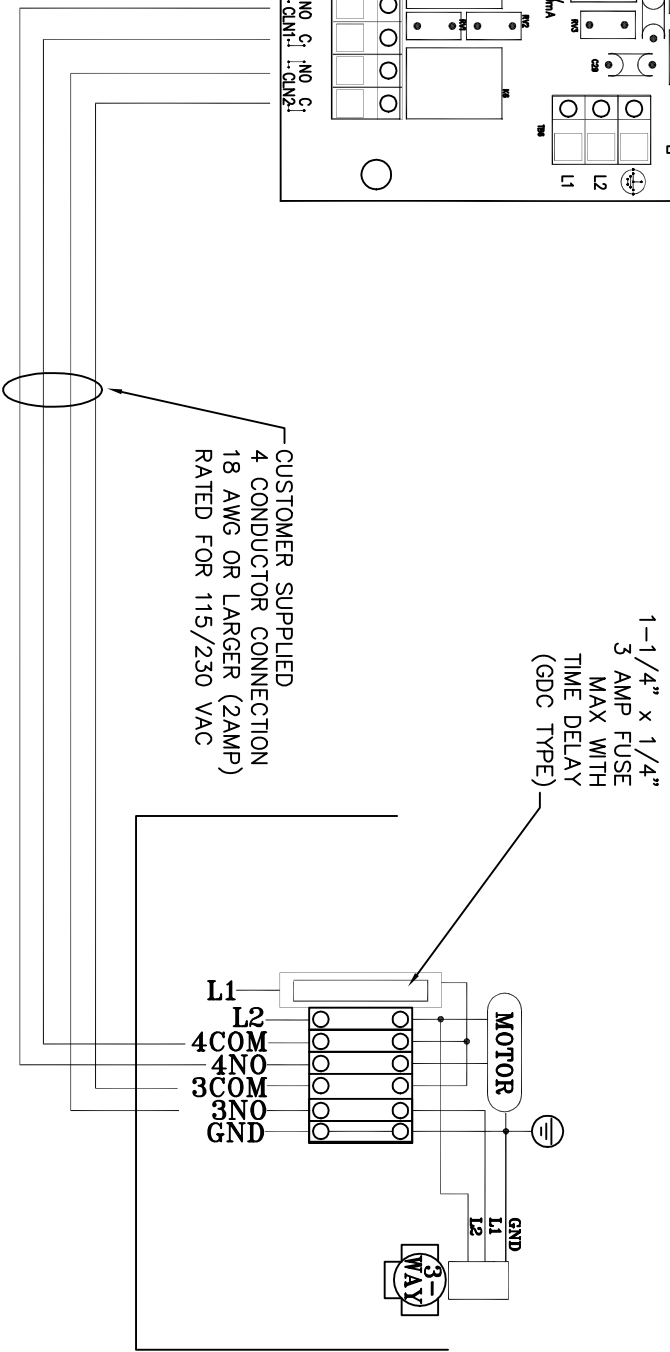
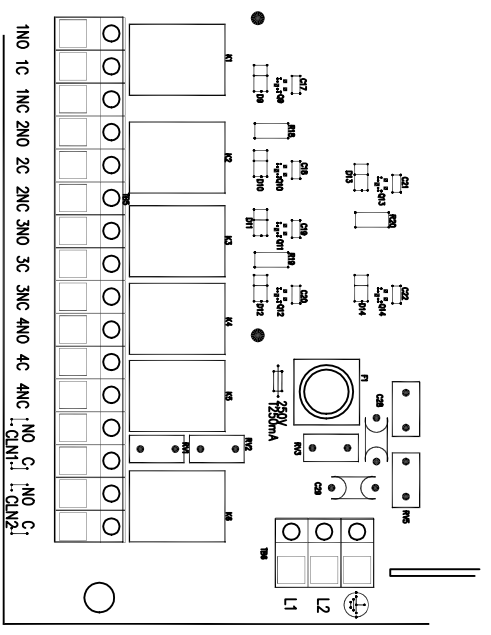


REVISIONS		DATE	APPROVED
ZONE LTR	DESCRIPTION		



ANALYZER CONNECTIONS

COMPRESSOR CONNECTIONS
INSITE IG - MODEL CA2

MPA-48	CA-2 COMPRESSOR
CLN1 - NO	4-NO
CLN1 - C	4-COM
CLN2 - NO	3-NO
CLN2 - C	3-COM

UNLESS OTHERWISE SPECIFIED: DIMENSIONS ARE IN INCHES TOLERANCES DECIMALS ANGULAR .XX ±.010 X° ±1° .XXX ±.005		CONTRACT NO.	
DO NOT SCALE DRAWING	CHECK D. RADLE	DATE	
MATERIAL	DESIGN		
FINISH	APPROVED D. RADLE		
SPEC.	CUSTOMER		
<p>Insite IG 80 Whisperwood Blvd. Suite 107 Slidell, LA 70458</p>		<p>MODEL CA2 CONNECTION INSITE IG MPA-48</p>	
SIZE	DWG NO.	SCALE	NTS
C	11G07R112		