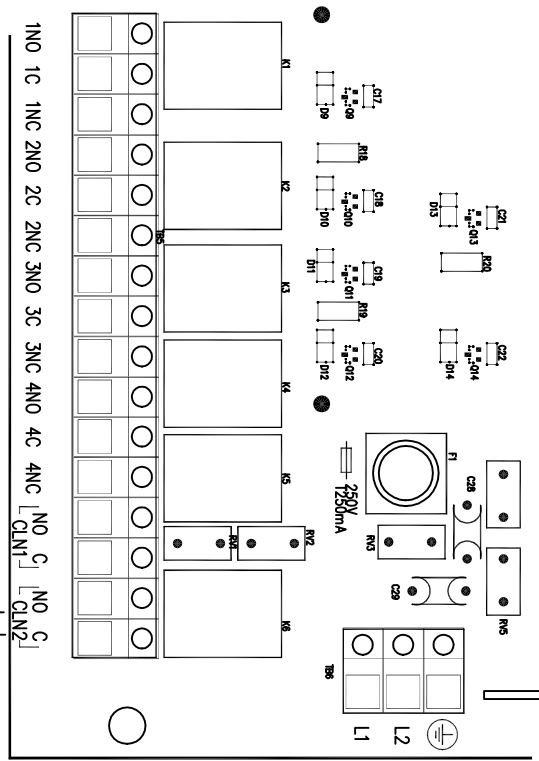
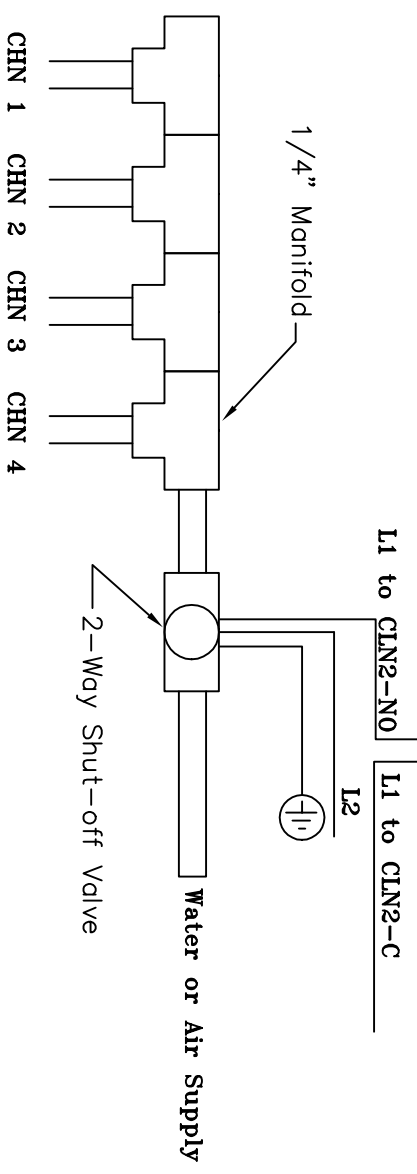


REVISIONS		DATE	APPROVED
ZONE LTR	DESCRIPTION		



- NOTES:
1. All solenoid wiring should be per National Electric Code.
 2. Solenoids are general duty suitable for air and water to maximize flow at maximum pressure of 60 psi.

ANALYZER CONNECTIONS



UNLESS OTHERWISE SPECIFIED: DIMENSIONS ARE IN INCHES TOLERANCES DECIMALS ANGULAR .XX ±.010 X° ±1° .XXX ±.005		CONTRACT NO.	
DO NOT SCALE DRAWING		DRAWN D. RADLE	DATE
MATERIAL		CHECK CHECK	
FINISH		DESIGN D. RADLE	
SPEC.		APPROVED CUSTOMER	
SCALE NTS		SIZE C	DWG NO. IIG07R113
			REV —
			SHEET 1 OF 1

1 2 3 4

Insite IG 80 Whisperwood Blvd.
Suite 107
Slidell, LA 70458

SOLENOID JET CONNECTION
InsiteIG MPA-48