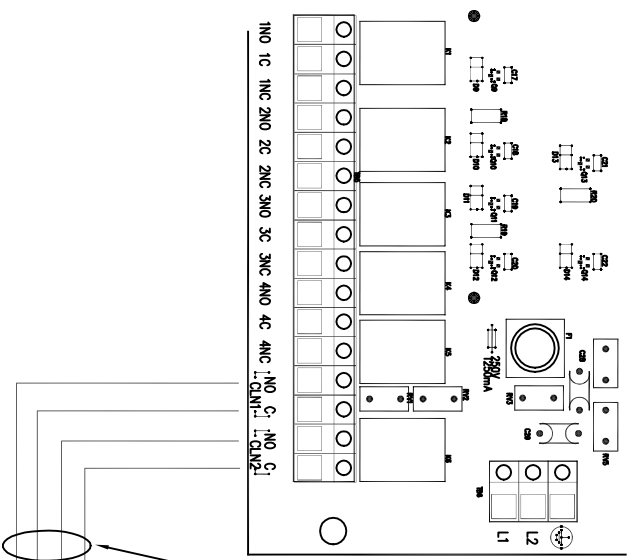
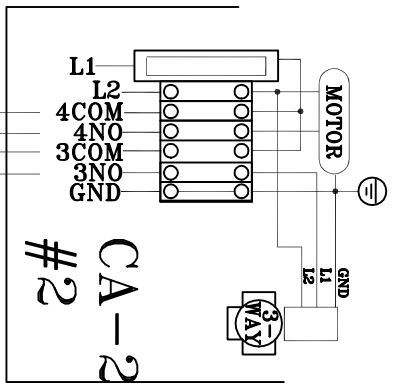
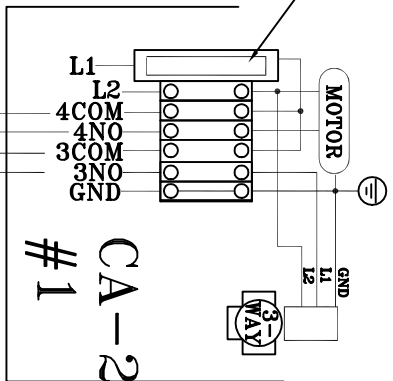


ZONE LTR	REVISIONS	DESCRIPTION	DATE	APPROVED



1-1/4" x 1/4"
3 AMP FUSE
MAX WITH
TIME DELAY
(GDC TYPE)

CUSTOMER SUPPLIED
4 CONDUCTOR CONNECTION
18 AWG OR LARGER (2AMP)
RATED FOR 115/230 VAC



ANALYZER CONNECTIONS

COMPRESSOR CONNECTIONS
INSITE IG - MODEL CA2

MPA-48	CA-2 #1	CA-2 #2
CLN1 - NO	4-NO	4-NO
CLN1 - C	4-COM	4-COM
CLN2 - NO	3-NO	3-NO
CLN2 - C	3-COM	3-COM

UNLESS OTHERWISE SPECIFIED: DIMENSIONS ARE IN INCHES TOLERANCES DECIMALS ANGULAR .XX ±.010 X° ±1° .XXX ±.005		CONTRACT NO.	
DO NOT SCALE DRAWING	D. RADE	CHECK	DATE
MATERIAL	D. RADE	DESIGN	
FINISH	D. RADE	APPROVED	
SPEC.	D. RADE	CUSTOMER	

TITLE		80 Whisperwood Blvd. Insite IG Suite 107 Slidell, LA 70458	
MPA-48 CONNECTION to TWO CA-2 Compressors			
SCALE	DWG NO.	REV	
NTS	IIIG07R114	C	1
SHEET			1 OF 1